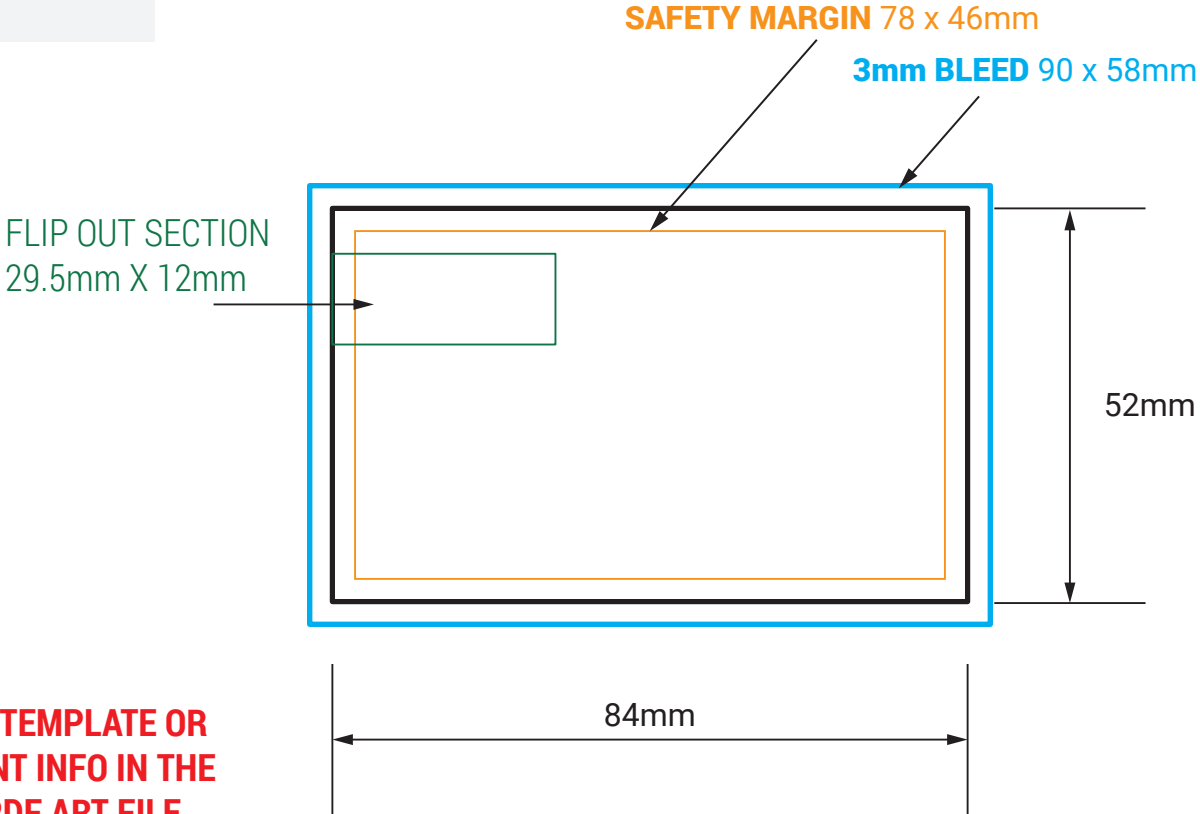
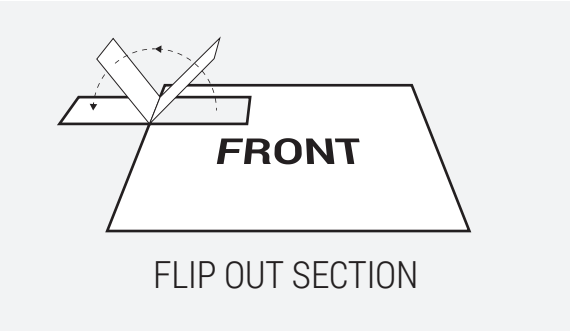


USB CARD C012A FRONT



! DO NOT INCLUDE THE TEMPLATE OR ANY OTHER NON-PRINT INFO IN THE FINAL PRINT READY PDF ART FILE.

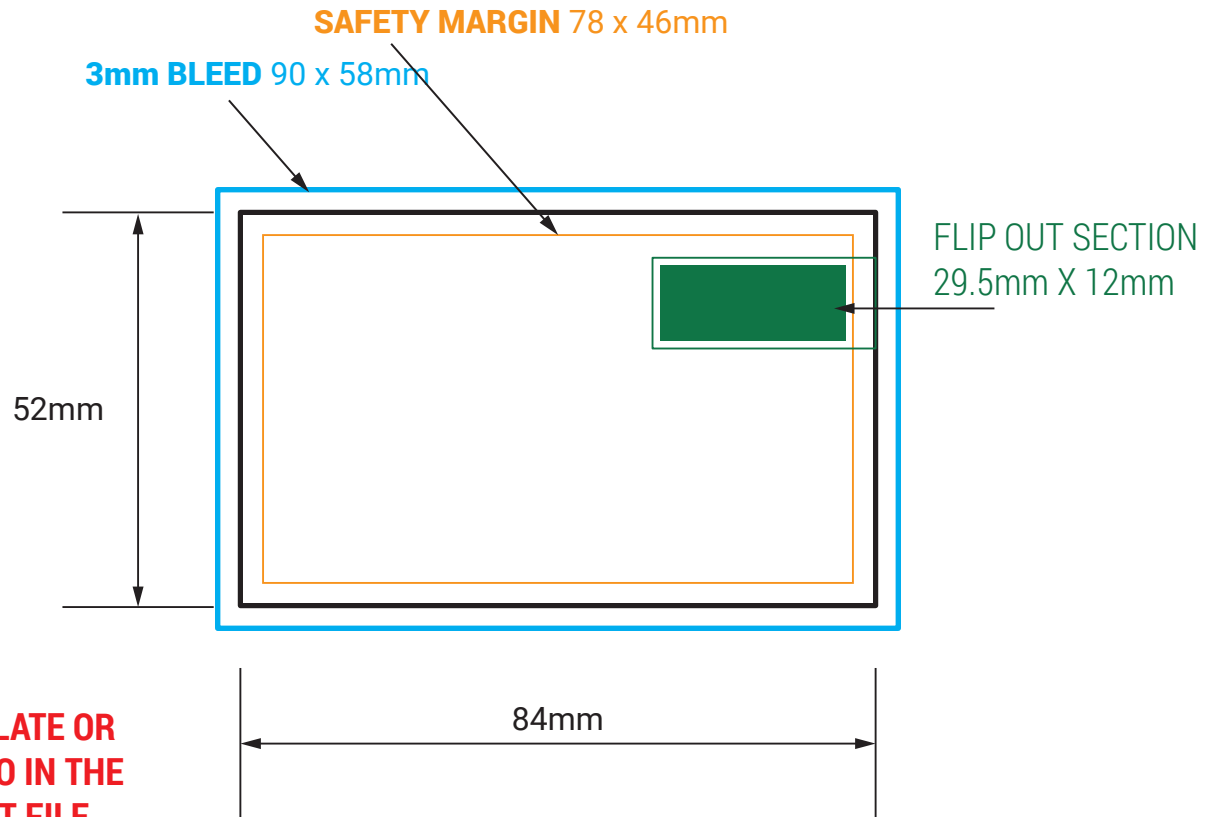


THIS TEMPLATE IS 1:1 SCALE
EMAIL: SALES@IUSB.COM.AU
PH: 1300 985 133

IMPORTANT
- FINAL ART MUST HAVE 3MM BLEED ON EACH EDGE
- FINAL ART MUST BE CMYK AND 300 DPI
- PLEASE OUTLINE ALL FONTS
- SAVE ART AS PRINT READY PDF
- FINAL ART MUST BE SET UP AS **VECTORS**

- EDGE
- BLEED
- SAFETY MARGIN
- FLIP OUT SECTION

USB CARD C012A BACK



! DO NOT INCLUDE THE TEMPLATE OR ANY OTHER NON-PRINT INFO IN THE FINAL PRINT READY PDF ART FILE.



THIS TEMPLATE IS 1:1 SCALE

EMAIL: SALES@IUSB.COM.AU
PH: 1300 985 133

- EDGE
- BLEED
- SAFETY MARGIN
- FLIP OUT SECTION